



## Model: H3130L

Basic size of  
mm

$d_1$ :	135
D:	270
B:	73

The basic rated load is  
kN

trends C:	980
static state $C_0$ :	1220
Fatigue load limit $P_u$ :	116

Rated rotation speed is  
r/min

Refer to the speed:	2400
limit speed:	3200
Mass bearing + tightening sleeve:	23

model

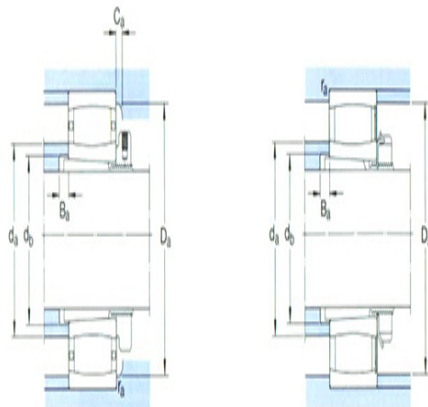
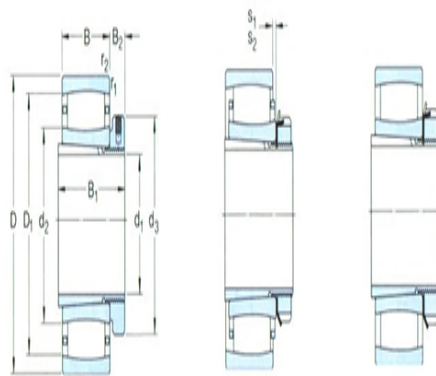
bearing:	*C2230 K
tapered adapter-sleeve:	H3130L

Dimensions are  
mm

$d_1$ :	135
$d_2 \sim$ :	177
$d_3$ :	180
D1 ~:	236
$B_1$ :	111
$B_2$ :	26
$r_{1,2}$ the min:	3
$s_1^{1)}$ ~:	11.2
$s_2^{1)}$ ~:	-

Shoulder gear and chamfer size  
mm

$d_a$ the max:	200
$d_b$ the min:	160



Da the min:	215
Da the max:	256
B <sub>a</sub> the min:	15
Ca <sup>2)</sup> the min:	2.5
r <sub>a</sub> the max:	2.5

Calculation coefficient

k <sub>1</sub> :	0.119
k <sub>2</sub> :	0.096