



## Model: H3132L

Basic size of  
mm

d <sub>1</sub> :	140
D:	270
B:	86

The basic rated load is  
kN

trends C:	1000
static state Co:	1400
Fatigue load limit Pu:	132

Rated rotation speed is  
r/min

Refer to the speed:	2000
limit speed:	2600
Mass bearing + tightening sleeve:	27

model

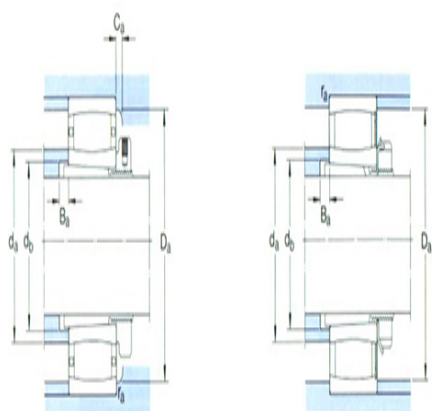
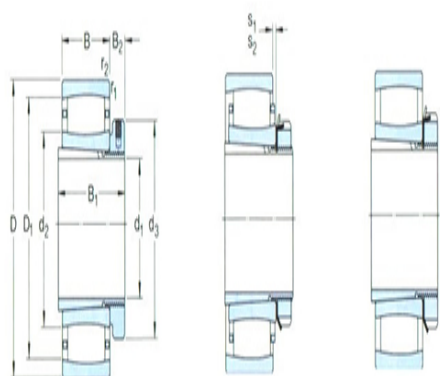
bearing:	*C3132K1 )
tapered adapter- sleeve:	H3132L

Dimensions are  
mm

d <sub>1</sub> :	140
d <sub>2</sub> ~ :	191
d <sub>3</sub> :	190
D1 ~ :	240
B <sub>1</sub> :	119
B <sub>2</sub> :	27.5
r <sub>1,2</sub> the min:	2.1
s <sub>1</sub> <sup>1)</sup> ~ :	19
s <sub>2</sub> <sup>1)</sup> ~ :	-

Shoulder gear and chamfer size  
mm

d <sub>a</sub> the max:	190
-------------------------	-----



$d_b$ the min:	170
$D_a$ the min:	242
$D_a$ the max:	258
$B_a$ the min:	8
$Ca^2$ ) the min:	7.5
$r_a$ the max:	2

Calculation coefficient

$k_1$ :	0.099
$k_2$ :	0.111