



Model: C39/670KM

Basic size of
mm

d ₁ :	630
D:	900
B:	170

The basic rated load is
kN

trends C:	4900
static state Co:	11200
Fatigue load limit Pu:	695

Rated rotation speed is
r/min

Refer to the speed:	480
limit speed:	630
Mass bearing + tightening sleeve:	455

model

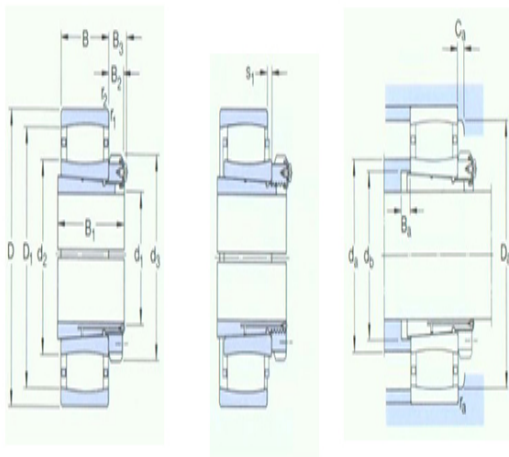
bearing:	*C39/670K M
tapered adapter- sleeve:	OH39/670H

Dimensions are
mm

d ₁ :	630
d ₂ ~ :	764
d ₃ :	780
D1 ~ :	848
B ₁ :	264
B ₂ :	80
r _{1,2} the min:	102
s ₁ ¹⁾ ~ :	6
s ₂ ¹⁾ ~ :	40.5

Shoulder gear and chamfer size
mm

d _a the max:	765
-------------------------	-----



d_b the min:	691
Da the min:	830
Da the max:	877
B_a the min:	22
Ca^2) the min:	2.5
r_a the max:	5

Calculation coefficient

k_1 :	0.121
k_2 :	0.113