



Model: C31/800KMB1

Basic size of
mm

d ₁ :	750
D :	1280
B :	375

The basic rated load is
kN

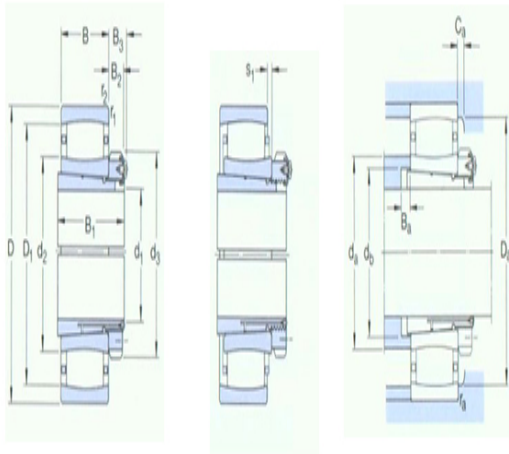
trends C :	15600
static state Co :	30500
Fatigue load limit Pu :	1760

Rated rotation speed is
r/min

Refer to the speed :	300
limit speed :	400
Mass bearing + tightening sleeve :	2400

model

bearing :	*C31/800KMB 1)
tapered adapter- sleeve :	OH31/800HE



Dimensions are
mm

d ₁ :	750
d ₂ ~ :	947
d ₃ :	1000
D1 ~ :	1133
B ₁ :	505
B ₂ :	112
r _{1,2} the min :	141
s ₁ ¹⁾ ~ :	9.5
s ₂ ¹⁾ ~ :	37

Shoulder gear and chamfer size
mm

d_a the max: 945

d_b the min: 838

D_a the min: 1135

D_a the max: 1240

B_a the min: 28

$Ca^{2)}$ the min: 32.1

r_a the max: 8

Calculation coefficient

k_1 : -

k_2 : 0.115