



**Model: C39/900KMB1**

Basic size of  
mm

d <sub>1</sub> :	850
D :	1180
B :	206

The basic rated load is  
kN

trends C :	8150
static state Co :	18000
Fatigue load limit Pu :	1060

Rated rotation speed is  
r/min

Refer to the speed :	340
limit speed :	450
Mass bearing + tightening sleeve :	900

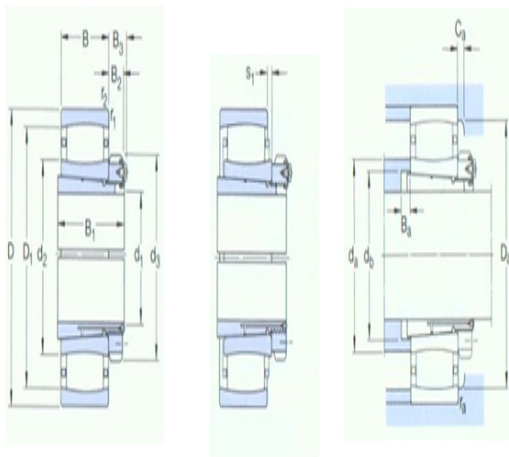
model

bearing :	*C39/900KMB 1)
tapered adapter- sleeve :	OH39/900HE

Dimensions are  
mm

d <sub>1</sub> :	850
d <sub>2</sub> ~ :	989
d <sub>3</sub> :	1030
D1 ~ :	1113
B <sub>1</sub> :	326
B <sub>2</sub> :	100
r <sub>1,2</sub> the min :	125
s <sub>1</sub> <sup>1)</sup> ~ :	6
s <sub>2</sub> <sup>1)</sup> ~ :	20

Shoulder gear and chamfer size  
mm



$d_a$ the max:	985
$d_b$ the min:	924
$D_a$ the min:	1115
$D_a$ the max:	1157
$B_a$ the min:	30
$Ca^{2)}$ the min:	18.4
$r_a$ the max:	5

Calculation coefficient

$k_1$ :	-
$k_2$ :	0.132