



Model: C31/1000KMB1

Basic size of
mm

d ₁ :	950
D :	1580
B :	462

The basic rated load is
kN

trends C :	22800
static state Co :	45500
Fatigue load limit Pu :	2500

Rated rotation speed is
r/min

Refer to the speed :	220
limit speed :	300
Mass bearing + tightening sleeve :	4300

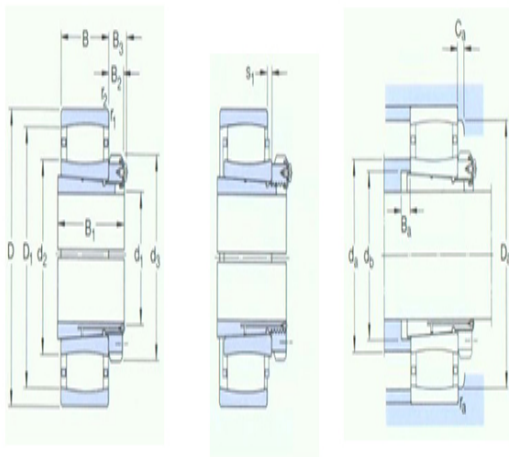
model

bearing :	*C31/1000KMB 1)
tapered adapter-sleeve :	OH31/1000HE

Dimensions are
mm

d ₁ :	950
d ₂ ~ :	1179
d ₃ :	1240
D1 ~ :	1401
B ₁ :	609
B ₂ :	125
r _{1,2} the min :	154
s ₁ ¹⁾ ~ :	12
s ₂ ¹⁾ ~ :	46

Shoulder gear and chamfer size
mm



d_a the max: 1175

d_b the min: 1047

D_a the min: 1405

D_a the max: 1532

B_a the min: 33

$Ca^{2)}$ the min: 38.6

r_a the max: 10

Calculation coefficient

k_1 : -

k_2 : 0.105