



**Model: C39/1060KMB1**

Basic size of  
mm

d <sub>1</sub> :	1000
D:	1400
B:	250

The basic rated load is  
kN

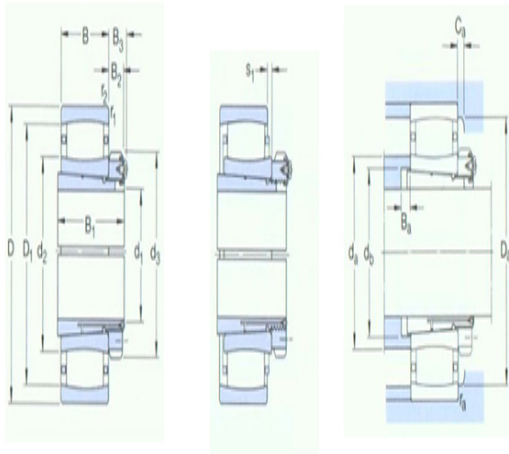
trends C:	12500
static state Co:	29000
Fatigue load limit Pu:	1600

Rated rotation speed is  
r/min

Refer to the speed:	260
limit speed:	340
Mass bearing + tightening sleeve:	1500

model

bearing:	*C39/1060KMB 1)
tapered adapter-sleeve:	OH39/1060HE



Dimensions are  
mm

d <sub>1</sub> :	1000
d <sub>2</sub> ~ :	1175
d <sub>3</sub> :	1200
D1 ~ :	1323
B <sub>1</sub> :	372
B <sub>2</sub> :	100
r <sub>1,2</sub> the min:	125
s <sub>1</sub> <sup>1)</sup> ~ :	7.5
s <sub>2</sub> <sup>1)</sup> ~ :	25

Shoulder gear and chamfer size  
mm

$d_a$  the max: 1170

$d_b$  the min: 1090

$D_a$  the min: 1325

$D_a$  the max: 1392

$B_a$  the min: 33

$Ca^{2)}$  the min: 23.4

$r_a$  the max: 6

#### Calculation coefficient

$k_1$ : -

$k_2$ : 0.142