



**Model: OH31/600HE**

Basic size of  
mm

d <sub>1</sub> :	560
D :	980
B :	300

The basic rated load is  
kN

trends C :	10200
static state Co :	18000
Fatigue load limit Pu :	1120

Rated rotation speed is  
r/min

Refer to the speed :	430
limit speed :	600
Mass bearing + tightening sleeve :	1100

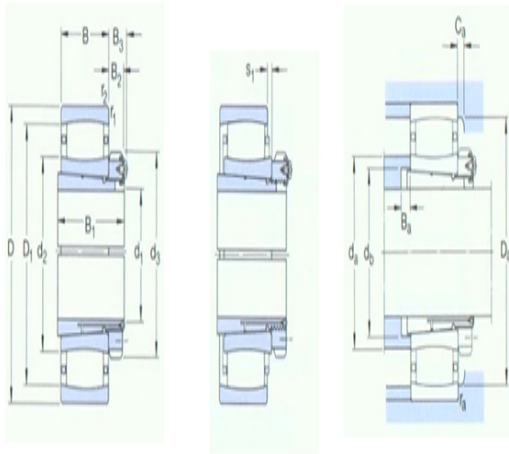
model

bearing :	*C31/600KMB 1)
tapered adapter-sleeve :	OH31/600HE

Dimensions are  
mm

d <sub>1</sub> :	560
d <sub>2</sub> ~ :	710
d <sub>3</sub> :	750
D1 ~ :	870
B <sub>1</sub> :	399
B <sub>2</sub> :	85
r <sub>1,2</sub> the min :	110
s <sub>1</sub> <sup>1)</sup> ~ :	7.5
s <sub>2</sub> <sup>1)</sup> ~ :	30

Shoulder gear and chamfer size  
mm



$d_a$  the max: 705

$d_b$  the min: 632

$D_a$  the min: 875

$D_a$  the max: 948

$B_a$  the min: 22

$Ca^{2)}$  the min: 25.4

$r_a$  the max: 6

Calculation coefficient

$k_1$ : -

$k_2$ : 0.105