



## Model: OH31/670HE

Basic size of  
mm

d <sub>1</sub> :	630
D :	1090
B :	336

The basic rated load is  
kN

trends C :	12000
static state Co :	22000
Fatigue load limit Pu :	1320

Rated rotation speed is  
r/min

Refer to the speed :	380
limit speed :	530
Mass bearing + tightening sleeve :	1550

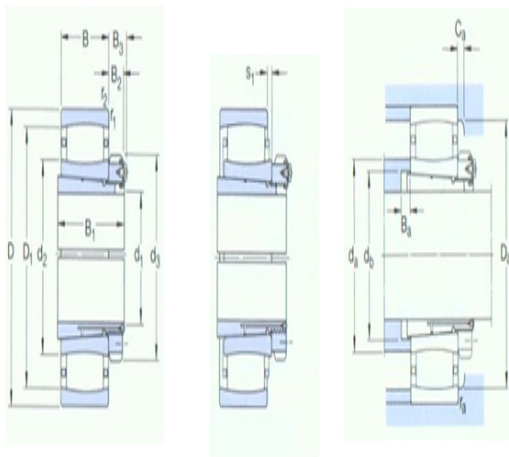
model

bearing :	*C31/670KMB 1)
tapered adapter- sleeve :	OH31/670HE

Dimensions are  
mm

d <sub>1</sub> :	630
d <sub>2</sub> ~ :	797
d <sub>3</sub> :	850
D1 ~ :	963
B <sub>1</sub> :	456
B <sub>2</sub> :	106
r <sub>1,2</sub> the min :	131
s <sub>1</sub> <sup>1)</sup> ~ :	7.5
s <sub>2</sub> <sup>1)</sup> ~ :	33

Shoulder gear and chamfer size  
mm



$d_a$ the max:	795
$d_b$ the min:	705
$D_a$ the min:	965
$D_a$ the max:	1058
$B_a$ the min:	22
$Ca^{2)}$ the min:	28
$r_a$ the max:	6

Calculation coefficient

$k_1$ :	-
$k_2$ :	0.104