



Model: OH31/710HE

Basic size of
mm

d ₁ :	670
D :	1150
B :	345

The basic rated load is
kN

trends C :	12700
static state Co :	24000
Fatigue load limit Pu :	1430

Rated rotation speed is
r/min

Refer to the speed :	360
limit speed :	480
Mass bearing + tightening sleeve :	1800

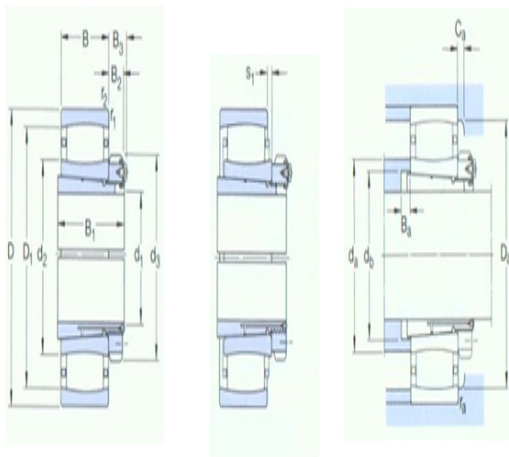
model

bearing :	*C31/710KMB 1)
tapered adapter- sleeve :	OH31/710HE

Dimensions are
mm

d ₁ :	670
d ₂ ~ :	848
d ₃ :	900
D1 ~ :	1012
B ₁ :	467
B ₂ :	106
r _{1,2} the min :	135
s ₁ ¹⁾ ~ :	9.5
s ₂ ¹⁾ ~ :	34

Shoulder gear and chamfer size
mm



d_a the max: 845

d_b the min: 745

D_a the min: 1015

D_a the max: 1110

B_a the min: 26

$Ca^{2)}$ the min: 28.6

r_a the max: 8

Calculation coefficient

k_1 : -

k_2 : 0.102