



Model: OH39/800HE

Basic size of
mm

d ₁ :	750
D:	1060
B:	195

The basic rated load is
kN

trends C:	6400
static state Co:	14600
Fatigue load limit Pu:	865

Rated rotation speed is
r/min

Refer to the speed:	380
limit speed:	530
Mass bearing + tightening sleeve:	715

model

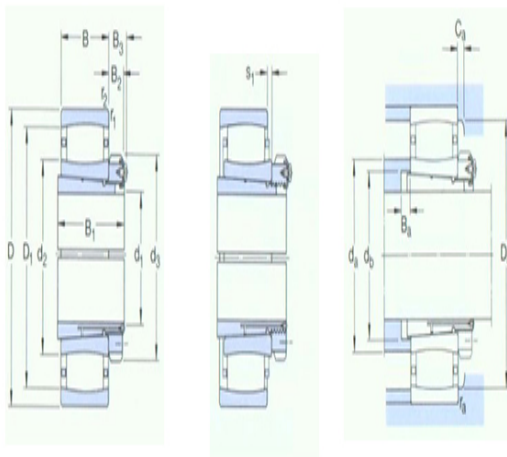
bearing:	*C39/800K M
tapered adapter- sleeve:	OH39/800H E

Dimensions are
mm

d ₁ :	750
d ₂ ~ :	889
d ₃ :	920
D1 ~ :	990
B ₁ :	303
B ₂ :	90
r _{1,2} the min:	112
s ₁ ¹⁾ ~ :	6
s ₂ ¹⁾ ~ :	45.7

Shoulder gear and chamfer size
mm

d _a the max:	915
-------------------------	-----



d_b the min:	825
Da the min:	970
Da the max:	1037
B_a the min:	28
Ca^2) the min:	2.9
r_a the max:	5

Calculation coefficient

k_1 :	0.126
k_2 :	0.106