



**Model: OH31/850HE**

Basic size of  
 mm

d <sub>1</sub> :	800
D :	1360
B :	400

The basic rated load is  
 kN

trends C :	16000
static state Co :	32000
Fatigue load limit Pu :	1830

Rated rotation speed is  
 r/min

Refer to the speed :	280
limit speed :	380
Mass bearing + tightening sleeve :	2260

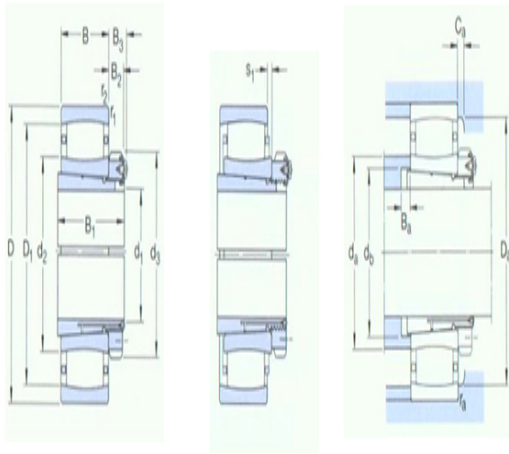
model

bearing :	*C31/850KMB 1)
tapered adapter-sleeve :	OH31/850HE

Dimensions are  
 mm

d <sub>1</sub> :	800
d <sub>2</sub> ~ :	1020
d <sub>3</sub> :	1060
D1 ~ :	1200
B <sub>1</sub> :	536
B <sub>2</sub> :	118
r <sub>1,2</sub> the min :	147
s <sub>1</sub> <sup>1)</sup> ~ :	12
s <sub>2</sub> <sup>1)</sup> ~ :	40

Shoulder gear and chamfer size  
 mm



$d_a$  the max: 1015

$d_b$  the min: 890

$D_a$  the min: 1205

$D_a$  the max: 1312

$B_a$  the min: 28

$Ca^{2)}$  the min: 33.5

$r_a$  the max: 10

#### Calculation coefficient

$k_1$ : -

$k_2$ : 0.11