



Model: OH39/900HE

Basic size of
mm

| | |
|------------------|------|
| d ₁ : | 850 |
| D : | 1180 |
| B : | 206 |

The basic rated load is
kN

| | |
|-------------------------|-------|
| trends C : | 8150 |
| static state Co : | 18000 |
| Fatigue load limit Pu : | 1060 |

Rated rotation speed is
r/min

| | |
|------------------------------------|-----|
| Refer to the speed : | 340 |
| limit speed : | 450 |
| Mass bearing + tightening sleeve : | 900 |

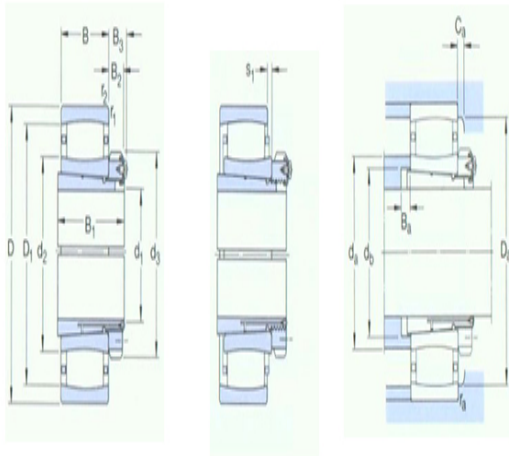
model

| | |
|--------------------------|-------------------|
| bearing : | *C39/900KMB 1) |
| tapered adapter-sleeve : | OH39/900HE |

Dimensions are
mm

| | |
|----------------------------------|------|
| d ₁ : | 850 |
| d ₂ ~ : | 989 |
| d ₃ : | 1030 |
| D1 ~ : | 1113 |
| B ₁ : | 326 |
| B ₂ : | 100 |
| r _{1,2} the min : | 125 |
| s ₁ ¹⁾ ~ : | 6 |
| s ₂ ¹⁾ ~ : | 20 |

Shoulder gear and chamfer size
mm



| | |
|--------------------|------|
| d_a the max: | 985 |
| d_b the min: | 924 |
| D_a the min: | 1115 |
| D_a the max: | 1157 |
| B_a the min: | 30 |
| $Ca^{2)}$ the min: | 18.4 |
| r_a the max: | 5 |

Calculation coefficient

| | |
|---------|-------|
| k_1 : | - |
| k_2 : | 0.132 |