



## Model: OH30/950HE

Basic size of  
mm

d <sub>1</sub> :	900
D :	1360
B :	300

The basic rated load is  
kN

trends C :	12900
static state Co :	27500
Fatigue load limit Pu :	1560

Rated rotation speed is  
r/min

Refer to the speed :	280
limit speed :	380
Mass bearing + tightening sleeve :	1800

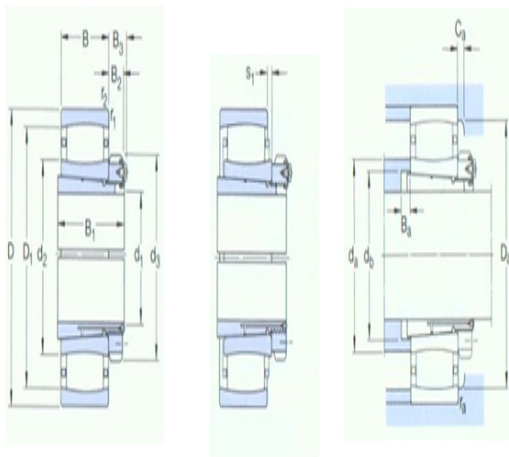
model

bearing :	*C30/950KMB 1)
tapered adapter- sleeve :	OH30/950HE

Dimensions are  
mm

d <sub>1</sub> :	900
d <sub>2</sub> ~ :	1080
d <sub>3</sub> :	1080
D1 ~ :	1240
B <sub>1</sub> :	420
B <sub>2</sub> :	100
r <sub>1,2</sub> the min :	125
s <sub>1</sub> <sup>1)</sup> ~ :	7.5
s <sub>2</sub> <sup>1)</sup> ~ :	30

Shoulder gear and chamfer size  
mm



$d_a$  the max: 1075

$d_b$  the min: 983

$D_a$  the min: 1245

$D_a$  the max: 1332

$B_a$  the min: 30

$Ca^{2)}$  the min: 26.2

$r_a$  the max: 6

#### Calculation coefficient

$k_1$ : -

$k_2$ : 0.116