



**Model: OH30/1000HE**

Basic size of  
mm

d <sub>1</sub> :	950
D :	1420
B :	308

The basic rated load is  
kN

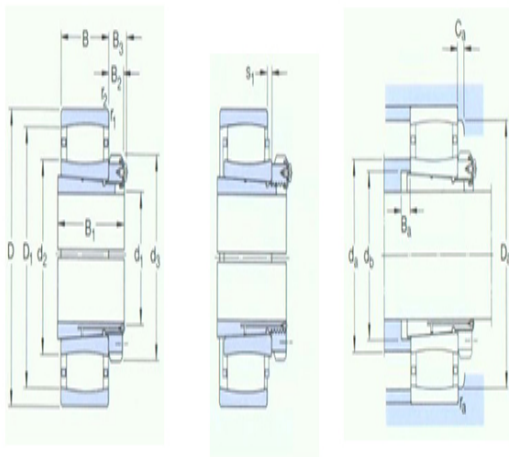
trends C :	13400
static state Co :	29000
Fatigue load limit Pu :	1630

Rated rotation speed is  
r/min

Refer to the speed :	260
limit speed :	340
Mass bearing + tightening sleeve :	2000

model

bearing :	*C30/1000KMB 1)
tapered adapter-sleeve :	OH30/1000HE



Dimensions are  
mm

d <sub>1</sub> :	950
d <sub>2</sub> ~ :	1136
d <sub>3</sub> :	1140
D1 ~ :	1294
B <sub>1</sub> :	430
B <sub>2</sub> :	100
r <sub>1,2</sub> the min :	125
s <sub>1</sub> <sup>1)</sup> ~ :	7.5
s <sub>2</sub> <sup>1)</sup> ~ :	30

Shoulder gear and chamfer size  
mm

$d_a$  the max: 1135

$d_b$  the min: 1034

$D_a$  the min: 1295

$D_a$  the max: 1392

$B_a$  the min: 33

$Ca^{2)}$  the min: 26.7

$r_a$  the max: 6

#### Calculation coefficient

$k_1$ : -

$k_2$ : 0.114