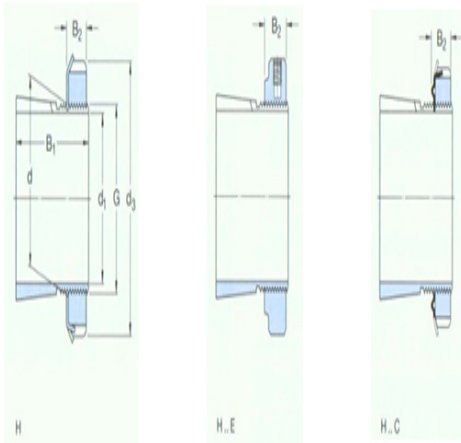




Model: H306

size

| | |
|------------------|---------|
| d ₁ : | 25 |
| d: | 30 |
| d ₃ : | 45 |
| B ₁ : | 31 |
| B ₂ : | 8 |
| G: | M30×1.5 |
| quality: | 0.095 |



model

| | |
|---|------|
| Tset ings with locking nuts and locking device: | H306 |
| locknut: | KM6 |
| locking apparatus: | MB6 |
| Applicable hydraulic pressure nuts: | - |