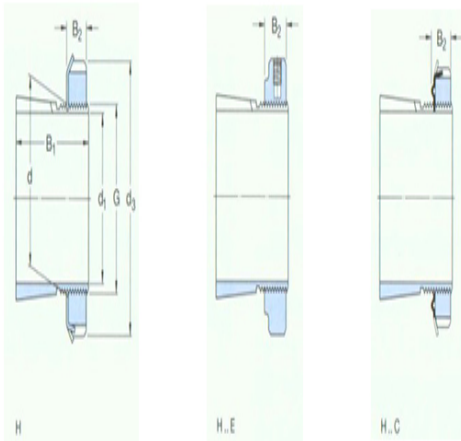




Model: H306E

size

d ₁ :	25
d:	30
d ₃ :	45
B ₁ :	31
B ₂ :	10.5
G:	M30×1.5
quality:	0.11



model

Tset ings with locking nuts and locking device:	H306E
locknut:	KMFE6
locking apparatus:	-
Applicable hydraulic pressure nuts:	-