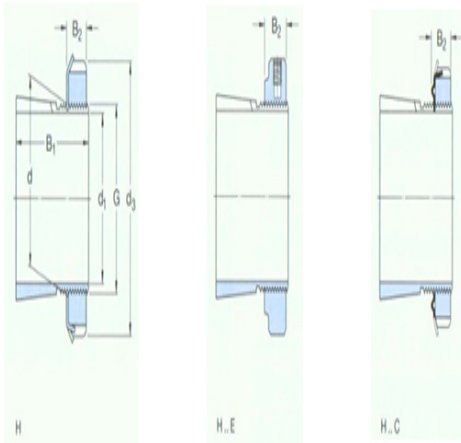




**Model: H307C**

size

d <sub>1</sub> :	30
d :	35
d <sub>3</sub> :	52
B <sub>1</sub> :	35
B <sub>2</sub> :	9.5
G :	M35×1.5
quality :	0.14



model

Tset ings with locking nuts and locking device :	H307C
locknut :	KM7
locking apparatus :	MB7C
Applicable hydraulic pressure nuts :	-