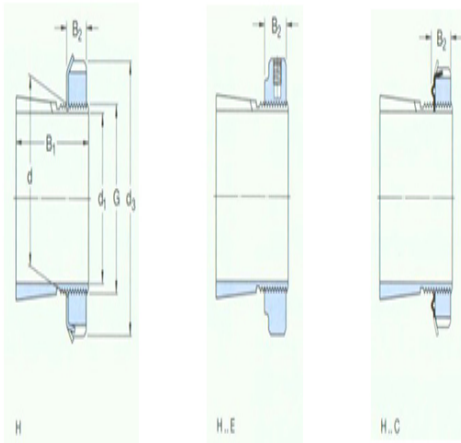




**Model: H2307**

size

d <sub>1</sub> :	30
d:	35
d <sub>3</sub> :	52
B <sub>1</sub> :	43
B <sub>2</sub> :	9
G:	M35×1.5
quality:	0.16



model

Tset ings with locking nuts and locking device:	H2307
locknut:	KM7
locking apparatus:	MB7
Applicable hydraulic pressure nuts:	-