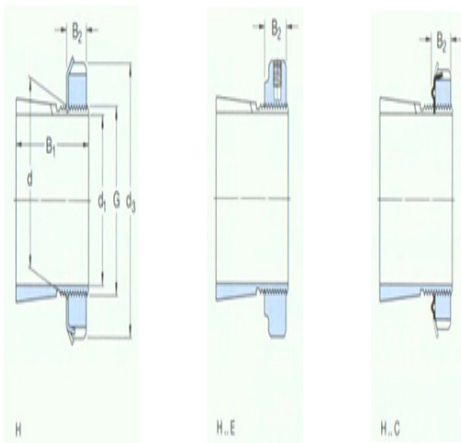




**Model: H308E**

size

d <sub>1</sub> :	35
d :	40
d <sub>3</sub> :	58
B <sub>1</sub> :	36
B <sub>2</sub> :	13
G :	M40×1.5
quality :	0.19



model

Tset ings with locking nuts and locking device :	H308E
locknut :	KMFE8
locking apparatus :	-
Applicable hydraulic pressure nuts :	-