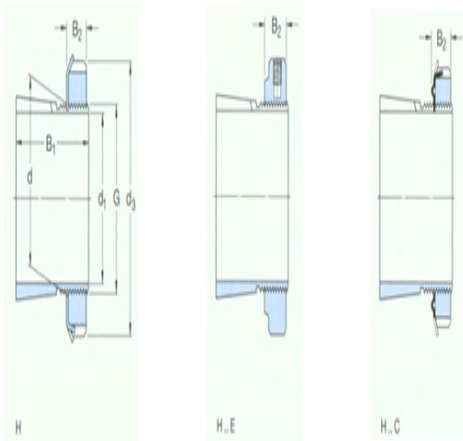




Model: H309C

size

d ₁ :	40
d:	45
d ₃ :	65
B ₁ :	39
B ₂ :	11.5
G:	M45×1.5
quality:	0.23



model

Tset ings with locking nuts and locking device:	H309C
locknut:	KM9
locking apparatus:	MB9C
Applicable hydraulic pressure nuts:	-