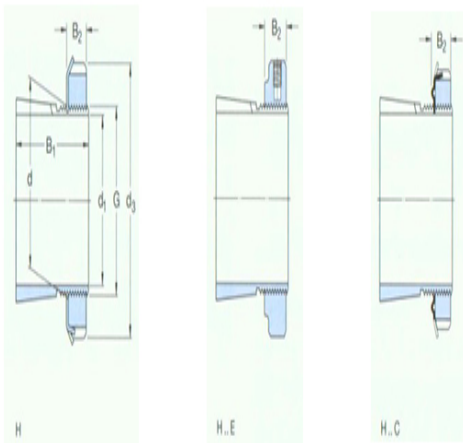




Model: H311C

size

d ₁ :	50
d:	55
d ₃ :	75
B ₁ :	45
B ₂ :	13
G:	M55×2
quality:	0.32



model

Tset ings with locking nuts and locking device:	H311C
locknut:	KM11
locking apparatus:	MB11C
Applicable hydraulic pressure nuts:	HMV11 E