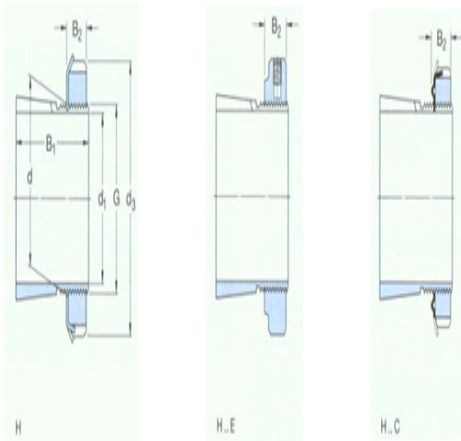




Model: KM10

size

d ₁ :	45
d :	50
d ₃ :	70
B ₁ :	42
B ₂ :	12.5
G :	M50×1.5
quality :	0.27



model

Tset ings with locking nuts and locking device :	H310C
locknut :	KM10
locking apparatus :	MB10C
Applicable hydraulic pressure nuts :	HMV10 E