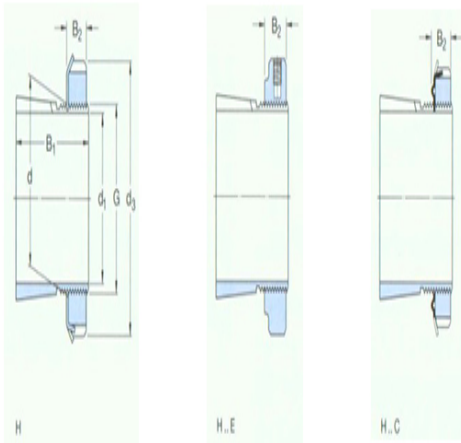




**Model: KM10**

size

d <sub>1</sub> :	45
d :	50
d <sub>3</sub> :	70
B <sub>1</sub> :	55
B <sub>2</sub> :	12
G :	M50×1.5
quality :	0.34



model

Tset ings with locking nuts and locking device :	H2310
locknut :	KM10
locking apparatus :	MB10
Applicable hydraulic pressure nuts :	HMV10 E