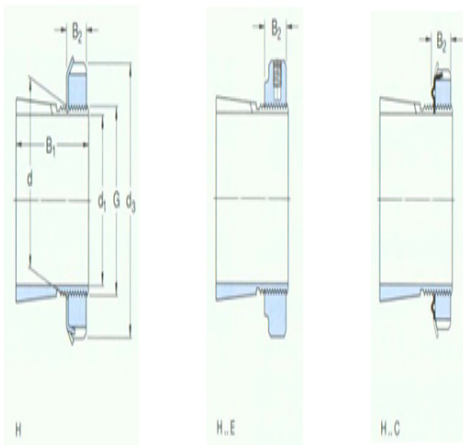




Model: KM16

size

d ₁ :	70
d:	80
d ₃ :	105
B ₁ :	59
B ₂ :	17
G:	M80×2
quality:	0.95



model

Tset ings with locking nuts and locking device:	H316
locknut:	KM16
locking apparatus:	MB16
Applicable hydraulic pressure nuts:	HMV16
	E