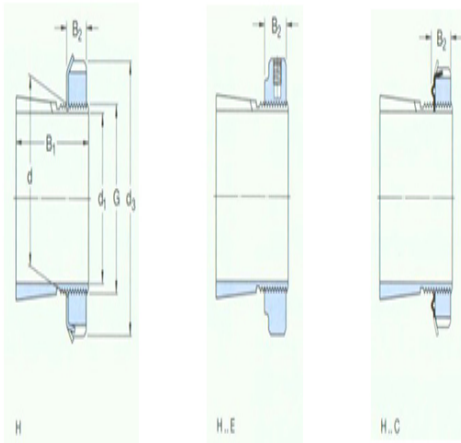




Model: KMFE17

size

d ₁ :	75
d:	85
d ₃ :	110
B ₁ :	63
B ₂ :	19
G:	M85×2
quality:	1.17



model

Tset ings with locking nuts and locking device:	H317E
locknut:	KMFE17
locking apparatus:	-
Applicable hydraulic pressure nuts:	HMV17 E