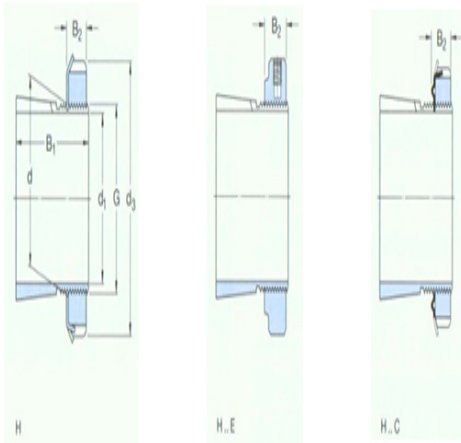




Model: MB4

size

d ₁ :	17
d:	20
d ₃ :	32
B ₁ :	28
B ₂ :	7
G:	M20×1
quality:	0.04



model

Tset ings with locking nuts and locking device:	H304
locknut:	KM4
locking apparatus:	MB4
Applicable hydraulic pressure nuts:	-