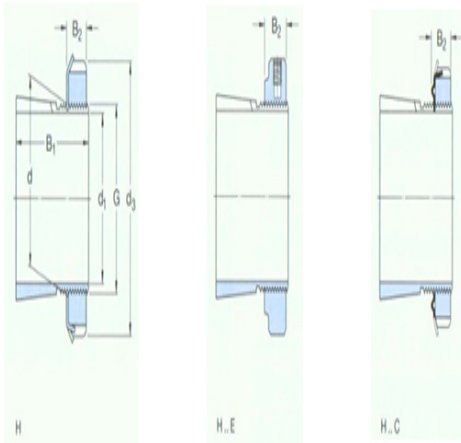




Model: MB5

size

d ₁ :	20
d:	25
d ₃ :	38
B ₁ :	26
B ₂ :	8
G:	M25×1.5
quality:	0.064



model

Tset ings with locking nuts and locking device:	H205
locknut:	KM5
locking apparatus:	MB5
Applicable hydraulic pressure nuts:	-