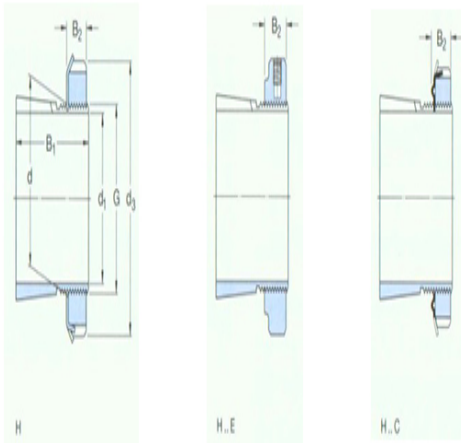




Model: MB5C

size

d ₁ :	20
d:	25
d ₃ :	38
B ₁ :	29
B ₂ :	8.5
G:	M25×1.5
quality:	0.071



model

Tset ings with locking nuts and locking device:	H305C
locknut:	KM5
locking apparatus:	MB5C
Applicable hydraulic pressure nuts:	-