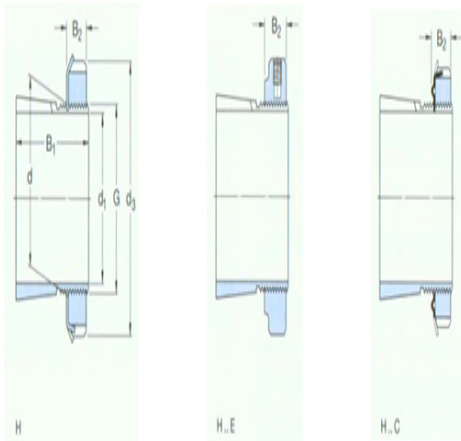




**Model: MB9**

size

d <sub>1</sub> :	40
d:	45
d <sub>3</sub> :	65
B <sub>1</sub> :	33
B <sub>2</sub> :	11
G:	M45×1.5
quality:	0.21



model

Tset ings with locking nuts and locking device:	H209
locknut:	KM9
locking apparatus:	MB9
Applicable hydraulic pressure nuts:	-