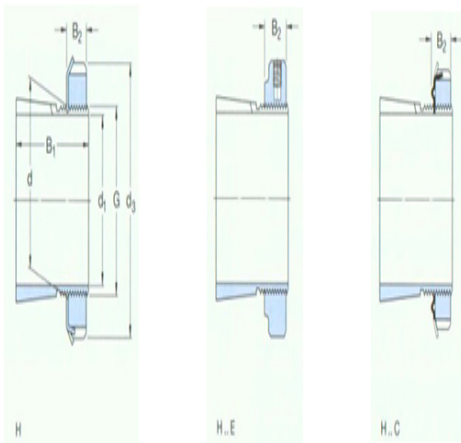




Model: MB13

size

| | |
|------------------|-------|
| d ₁ : | 60 |
| d: | 65 |
| d ₃ : | 85 |
| B ₁ : | 65 |
| B ₂ : | 14 |
| G: | M65×2 |
| quality: | 0.52 |



model

| | |
|---|------------|
| Tset ings with locking nuts and locking device: | H2313 |
| locknut: | KM13 |
| locking apparatus: | MB13 |
| Applicable hydraulic pressure nuts: | HMV13 E |