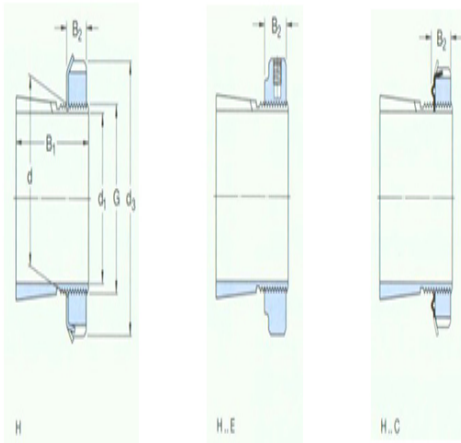




**Model: HMV12E**

size

d <sub>1</sub> :	55
d:	60
d <sub>3</sub> :	80
B <sub>1</sub> :	62
B <sub>2</sub> :	13
G:	M60×2
quality:	0.45



model

Tset ings with locking nuts and locking device:	H2312
locknut:	KM12
locking apparatus:	MB12
Applicable hydraulic pressure nuts:	HMV12 E