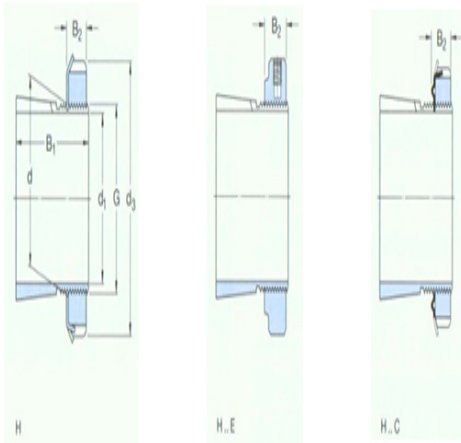




**Model: HMV16E**

size

d <sub>1</sub> :	70
d:	80
d <sub>3</sub> :	105
B <sub>1</sub> :	59
B <sub>2</sub> :	18
G:	M80×2
quality:	1.01



model

Tset ings with locking nuts and locking device:	H316E
locknut:	KMFE16
locking apparatus:	-
Applicable hydraulic pressure nuts:	HMV16 E