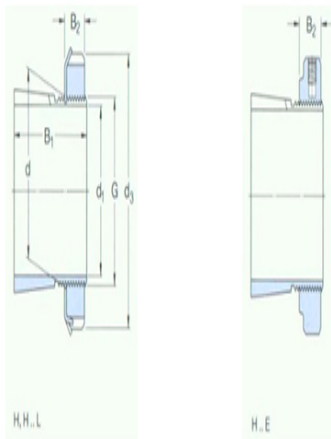




Model: H3120

size

d ₁ :	90
d :	100
d ₃ :	130
B ₁ :	76
B ₂ :	20
G :	M100× 2
quality :	1.8



model

Tset ings with locking nuts and locking device :	H3120
locknut :	KM20
locking apparatus :	MB20
Applicable hydraulic pressure nuts :	HMV20 E