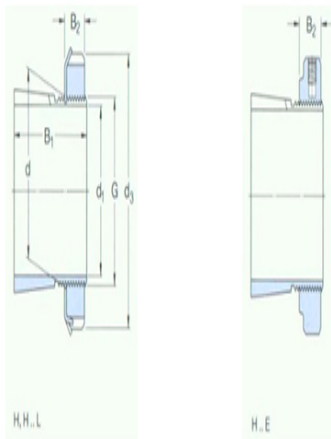




Model: H3134

size

d ₁ :	150
d:	170
d ₃ :	220
B ₁ :	122
B ₂ :	28.5
G:	M170× 3
quality:	8.1



model

Tset ings with locking nuts and locking device:	H3134
locknut:	KM34
locking apparatus:	MB34
Applicable hydraulic pressure nuts:	HMV34 E