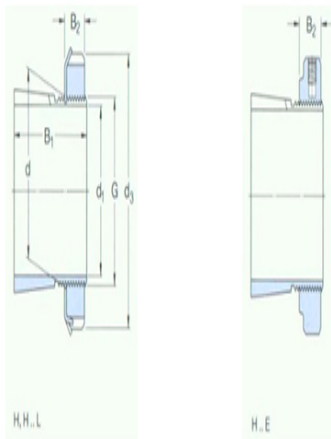




Model: H3938

size

d ₁ :	170
d:	190
d ₃ :	220
B ₁ :	89
B ₂ :	30.5
G:	M190× 3
quality:	6.2



model

Tset ings with locking nuts and locking device:	H3938
locknut:	KML38
locking apparatus:	MBL38
Applicable hydraulic pressure nuts:	HMV38 E