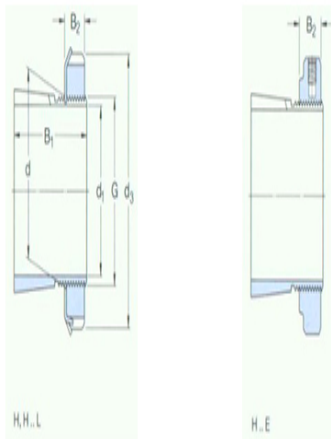




Model: H2338

size

d ₁ :	170
d:	190
d ₃ :	240
B ₁ :	169
B ₂ :	30.5
G:	M190× 3
quality:	12



model

Tset ings with locking nuts and locking device:	H2338
locknut:	KM38
locking apparatus:	MB38
Applicable hydraulic pressure nuts:	HMV38 E