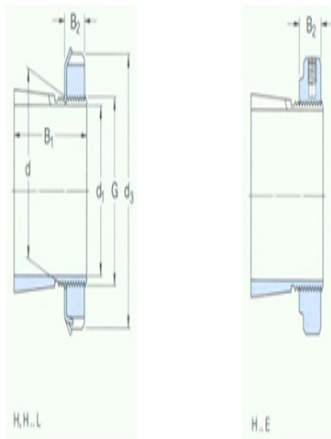




Model: KM36

size

d ₁ :	160
d:	180
d ₃ :	230
B ₁ :	131
B ₂ :	29.5
G:	M180× 3
quality:	9.15



model

Tset ings with locking nuts and locking device:	H3136
locknut:	KM36
locking apparatus:	MB36
Applicable hydraulic pressure nuts:	HMV36 E