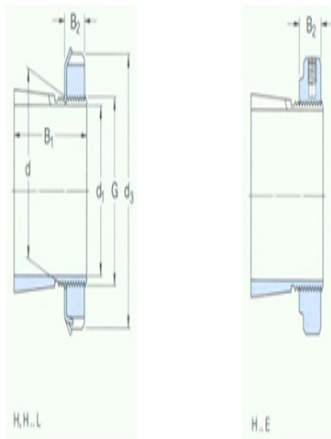




Model: MBL28

size

d ₁ :	125
d:	140
d ₃ :	165
B ₁ :	82
B ₂ :	24
G:	M140× 2
quality:	3.05



model

Tset ings with locking nuts and locking device:	H3028
locknut:	KML28
locking apparatus:	MBL28
Applicable hydraulic pressure nuts:	HMV28 E