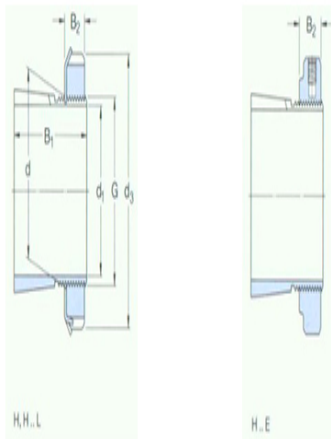




Model: MB36

size

d ₁ :	160
d:	180
d ₃ :	230
B ₁ :	161
B ₂ :	30
G:	M180× 3
quality:	11



model

Tset ings with locking nuts and locking device:	H2336
locknut:	KM36
locking apparatus:	MB36
Applicable hydraulic pressure nuts:	HMV36 E