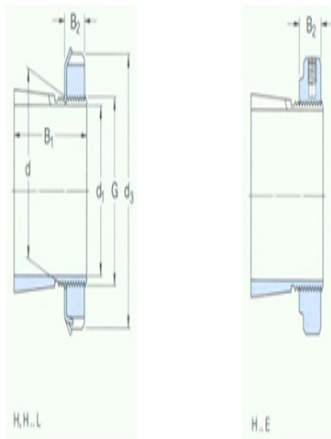




Model: HMV24E

size

d ₁ :	110
d:	120
d ₃ :	145
B ₁ :	88
B ₂ :	22
G:	M120× 2
quality:	2.5



model

Tset ings with locking nuts and locking device:	H3124L
locknut:	KML24
locking apparatus:	MBL24
Applicable hydraulic pressure nuts:	HMV24 E