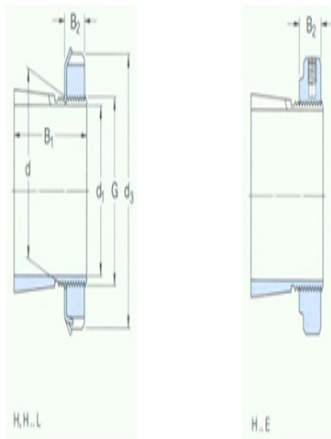




**Model: HMV24E**

size

d <sub>1</sub> :	110
d:	120
d <sub>3</sub> :	155
B <sub>1</sub> :	112
B <sub>2</sub> :	22
G:	M120× 2
quality:	3



model

Tset ings with locking nuts and locking device:	H2324
locknut:	KM24
locking apparatus:	MB24
Applicable hydraulic pressure nuts:	HMV24 E