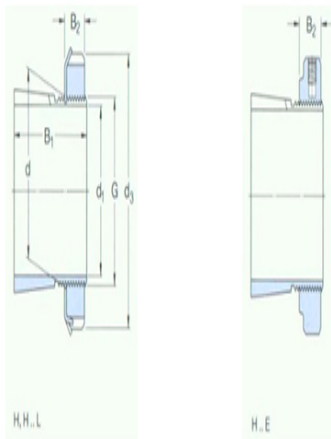




Model: HMV30E

size

d ₁ :	135
d:	150
d ₃ :	180
B ₁ :	87
B ₂ :	26
G:	M150× 2
quality:	3.75



model

Tset ings with locking nuts and locking device:	H3030
locknut:	KML30
locking apparatus:	MBL30
Applicable hydraulic pressure nuts:	HMV30 E