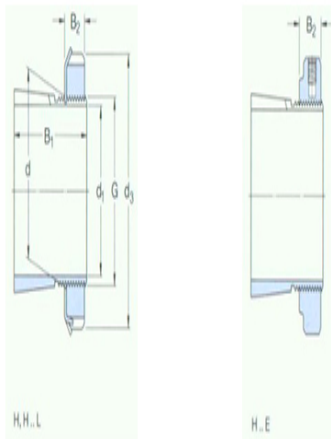




Model: HMV34E

size

d ₁ :	150
d:	170
d ₃ :	220
B ₁ :	154
B ₂ :	28.5
G:	M170× 3
quality:	9.9



model

Tset ings with locking nuts and locking device:	H2334
locknut:	KM34
locking apparatus:	MB34
Applicable hydraulic pressure nuts:	HMV34 E