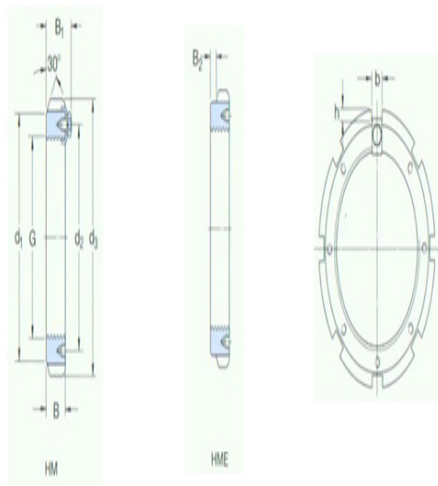




Model: HM3180

size

G:	Tr 400×5
d ₁ :	460
d ₂ :	440
d ₃ :	520
B:	62
B ₁ :	82
B ₂ :	-
b:	32
h:	18
quality:	38



model

Lock nut without locking buckle:	HM3180
Apply lock buckle:	MS3184 -80
Applicable wrench:	TMFN64 -80