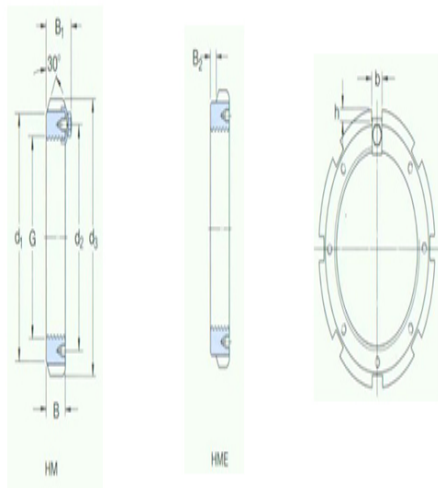




Model: MS3068-64

size

G:	Tr 320×5
d ₁ :	356
d ₂ :	336
d ₃ :	380
B:	42
B ₁ :	55
B ₂ :	-
b:	24
h:	12
quality:	9



model

Lock nut without locking buckle:	HM3064
Apply lock buckle:	MS3068 -64
Applicable wrench:	TMFN52 -64