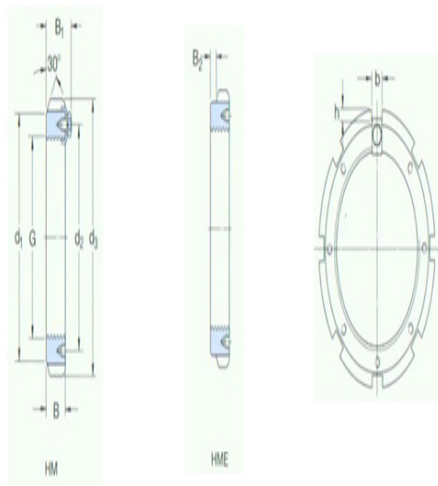




**Model: MS3172-68**

size

G:	Tr 340×5
d <sub>1</sub> :	400
d <sub>2</sub> :	373
d <sub>3</sub> :	440
B:	55
B <sub>1</sub> :	72
B <sub>2</sub> :	-
b:	28
h:	15
quality:	24



model

Lock nut without locking buckle:	HM3168
Apply lock buckle:	MS3172 -68
Applicable wrench:	TMFN64 -80