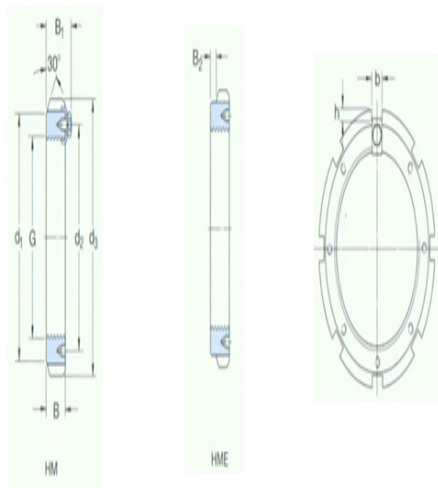


**Model: MS3172-68**

size

|                  |             |
|------------------|-------------|
| G:               | Tr<br>360×5 |
| d <sub>1</sub> : | 420         |
| d <sub>2</sub> : | 393         |
| d <sub>3</sub> : | 460         |
| B:               | 58          |
| B <sub>1</sub> : | 75          |
| B <sub>2</sub> : | -           |
| b:               | 28          |
| h:               | 15          |
| quality:         | 26.5        |



model

|                                  |               |
|----------------------------------|---------------|
| Lock nut without locking buckle: | HM3172        |
| Apply lock buckle:               | MS3172<br>-68 |
| Applicable wrench:               | TMFN64<br>-80 |