

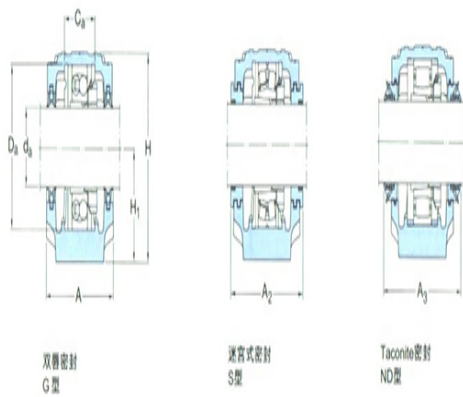
**Model: SNL305TS**

diameter of axle

$d_a$ :	25
---------	----

bearing block

A:	77
$A_1$ :	52
H:	89
$H_1$ :	50
$H_2$ :	22
J:	150
L:	185
N:	20
$N_1$ :	15
G:	12
quality:	1.9



双唇密封  
G型

液压式密封  
S型

Taconite密封  
ND型

model

Bearing seat with seals on both sides:	SNL305T S
Component bearing seat:	SNL206-305
seal components:	TSN305S
end cap:	ASNH50 7-606

diameter of axle

$d_a$ :	25
$d_b$ :	30

Hole

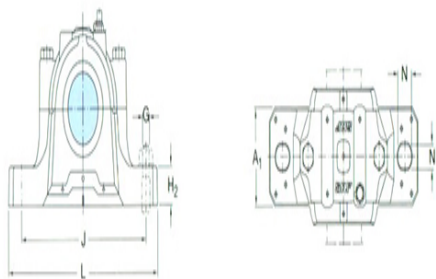
$C_a$ :	32
$D_a$ :	62

Total width of the attached seal

$A_2$ :	89
$A_3$ :	140

Applicable bearings and related parts

Automatic centering ball	-
--------------------------	---



bearing

spherical roller bearing:

Positioning rings

2 per bearing seat -

:

Automatic centering ball

bearing

spherical roller bearing -

CARB bearing:

Positioning rings

2 per bearing seat -

: