

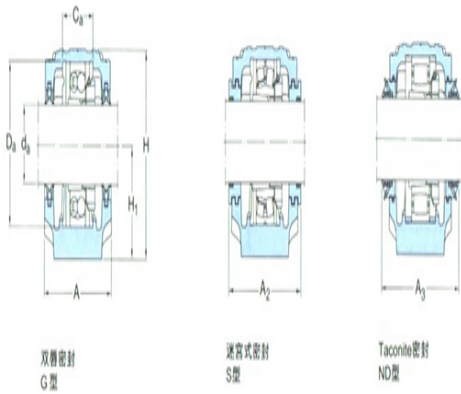
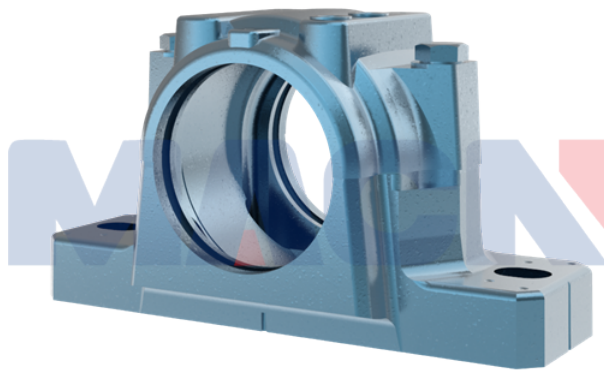
**Model: SNL207**

diameter of axle

$d_a$ :	35
---------	----

bearing block

A:	82
$A_1$ :	52
H:	93
$H_1$ :	50
$H_2$ :	22
J:	150
L:	185
N:	20
$N_1$ :	15
G:	12
quality:	2.1



双唇密封  
G型

迷宫式密封  
S型

Taconite密封  
ND型

model

Bearing seat with seals on both sides:	SNL207T G
Component bearing seat:	SNL207
seal components:	TSN207G
end cap:	ASNH509

diameter of axle

$d_a$ :	35
$d_b$ :	45

Hole

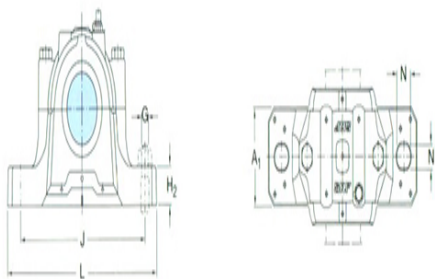
$C_a$ :	39
$D_a$ :	80

Total width of the attached seal

$A_2$ :	99
$A_3$ :	145

Applicable bearings and related parts

Automatic centering ball bearing	1307E
----------------------------------	-------



spherical roller bearing:

Positioning rings

2 per bearing seat           FRB9/80

:

Automatic centering ball  
bearing

spherical roller bearing           2307E

CARB bearing:

Positioning rings

2 per bearing seat           FRB4/80

: